



Tie Down Rings and Lock Handles

If none of the hinges in our extensive catalog meets your specifications, JRS Farmparts also offers custom designed Tie Down and Locks.

**Efficient and hassle-free
transportation of
heavy materials
and machinery**





Tie Down Rings **and Lock Handles**

COMPANY PROFILE

JRS Farmparts is manufacturing and exporting high quality range of Tie Down Rings and Lock Handles. Our product range also includes Tractor Linkage Parts, Harvesting Parts, Agricultural Implements & Spare Parts.

We believe in research, design, engineering, quality testing, packing and then merchandising. Our products in the abroad are gladly appreciated by our customers which builds the pillars of encouragement for us. Our produce of goods confirms to the international standards and we are successfully exporting them to more than 40 countries worldwide.

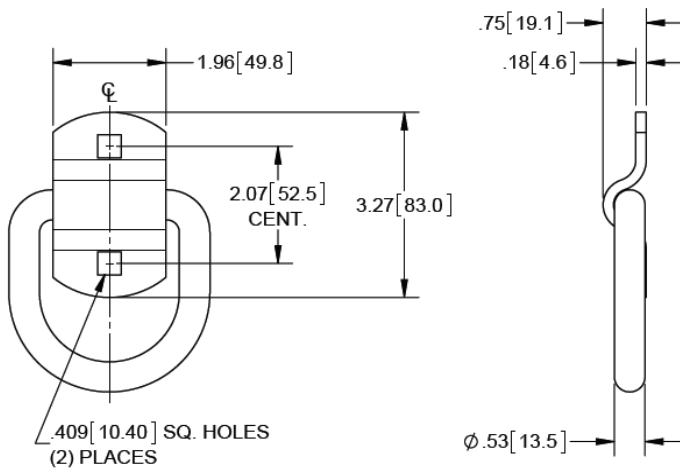
We insist to deliver high quality parts, we value honesty and integrity, and we offer sincere service. We invite you to walk with us, and forge a long-term cooperation together.



Tie Down Rings and Lock Handles

When it comes to hardware for cargo control, Quality matters. That's why at Eastman Industries Limited, we're committed to manufacturing world-class hardware that's durable enough to perform in any application. We can also provide the customized solution to your needs.

4,000 lb Forged Steel Tie downs Rings

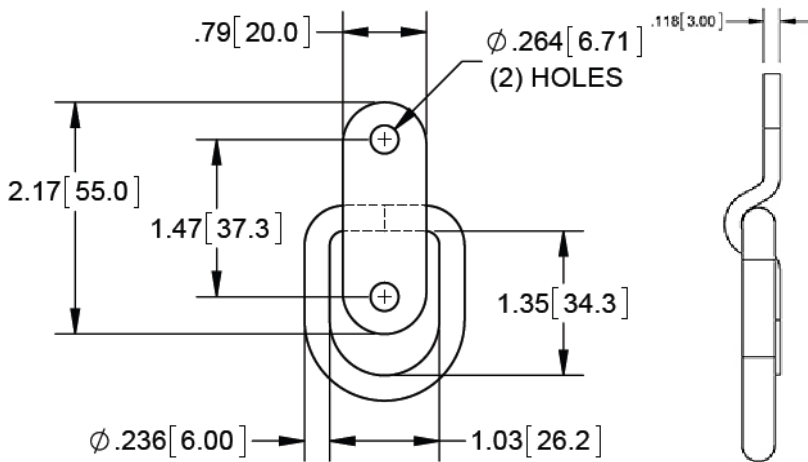


TREIL866
Steel, Mill



TREIL866ZN
Steel, Zinc Plated

3,500 lb Forged Tie downs Rings



TR861
Steel, Zinc Plated

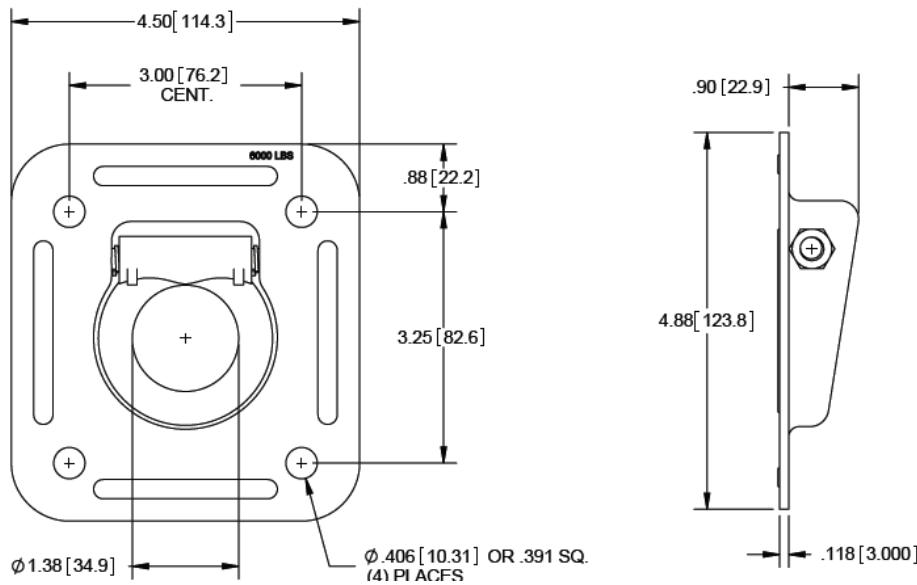


TR861SS
SS304, Electropolish



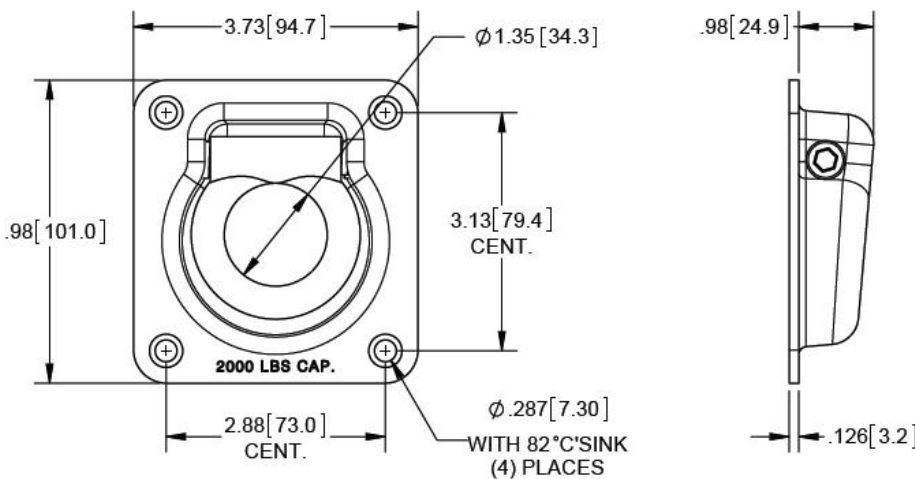
Tie Down Rings and Lock Handles

6,000 lb Steel Tie down Rings



TRTD890ZN
Steel, Zinc Plated

2,000 lb Steel Tie down Rings



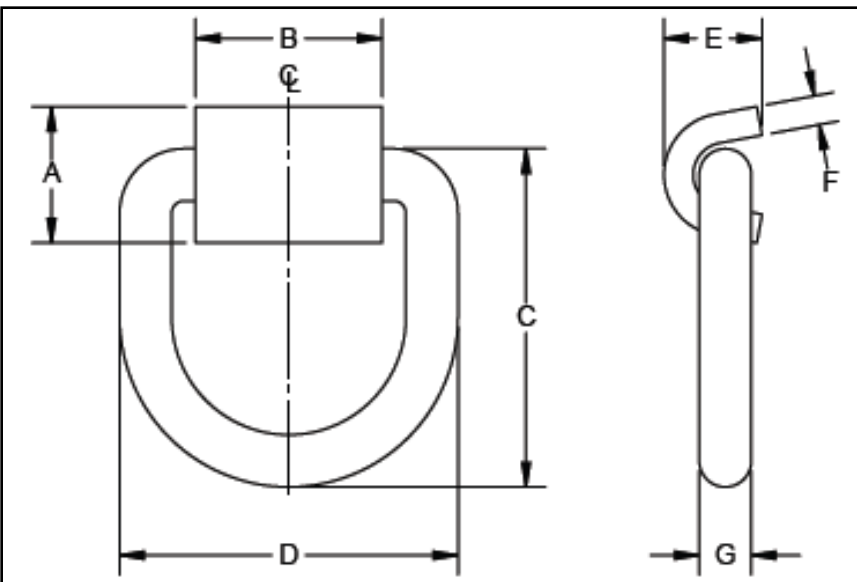
TRTD891ZN
Steel, Zinc Plated



Tie Down Rings and Lock Handles

2,000 lb Forged Steel Tie down Ring With Weld Bracket

A	B	C	D	E	F	G
1.33	1.8	3.48	3.37	0.95	0.3	Ø0.51
33.8	45.7	88.5	85.7	24.1	7.6	Ø13

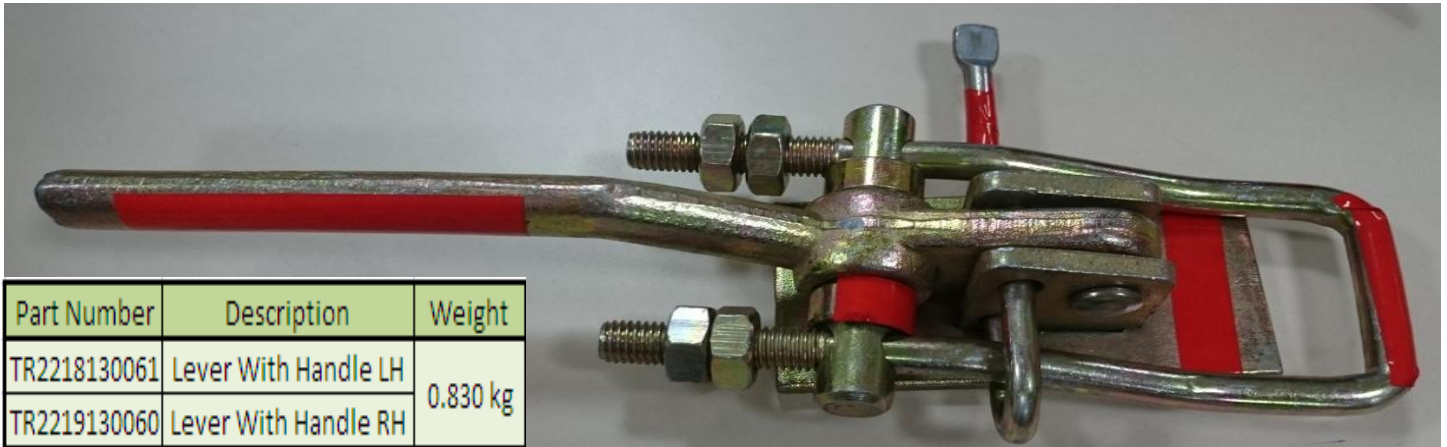


TR866-10
Steel, Mill



Tie Down Rings and Lock Handles

Lever with Handle



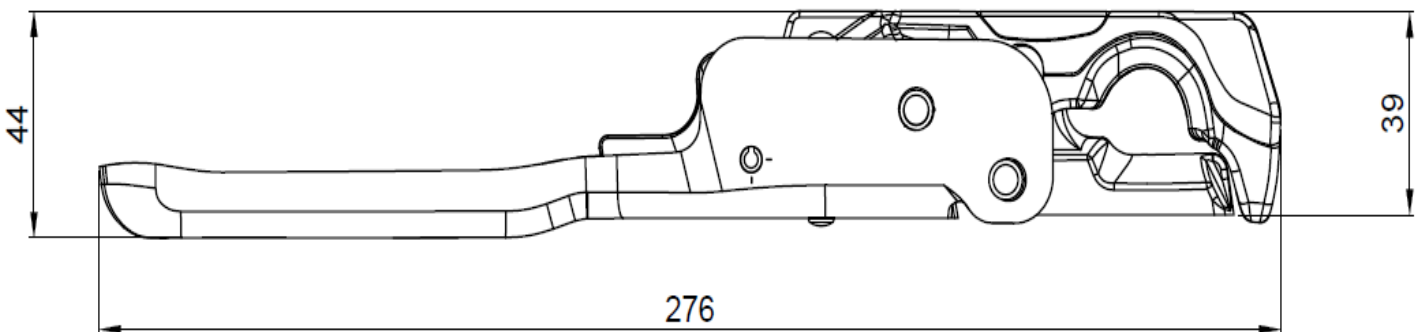
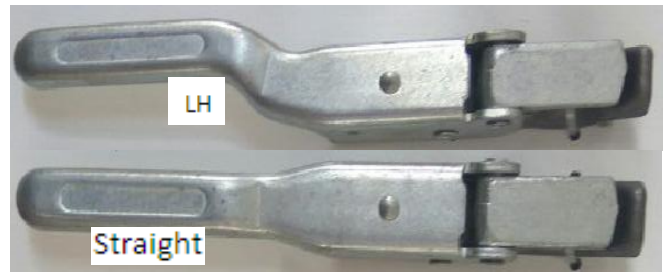
Part Number	Description	Weight
TR2218130061	Lever With Handle LH	0.830 kg
TR2219130060	Lever With Handle RH	

Lever with Handle RH

Trailer Lock Assembly



Part Number	Description	Weight
TRTRAILERLOCK-L	Trailer Lock Assembly Left	0.919 kg
TRTRAILERLOCK-R	Trailer Lock Assembly Right	
TRTRAILERLOCK-S	Trailer Lock Assembly Straight	





Let's Win...Together



Tie Down Rings **and Lock Handles**

To know about our other range of products,
Please visit our website

www.jrsfarmparts.com

